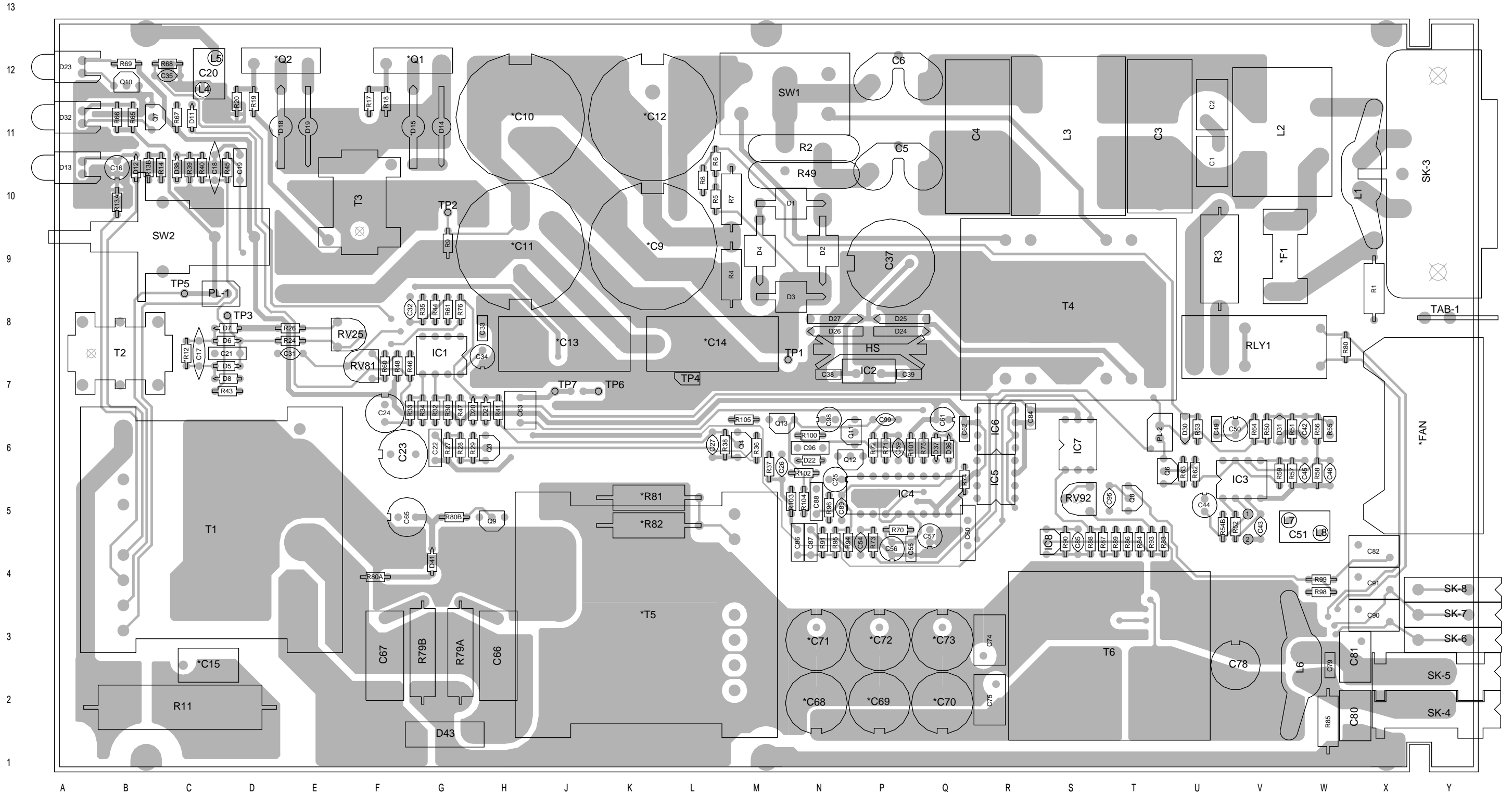


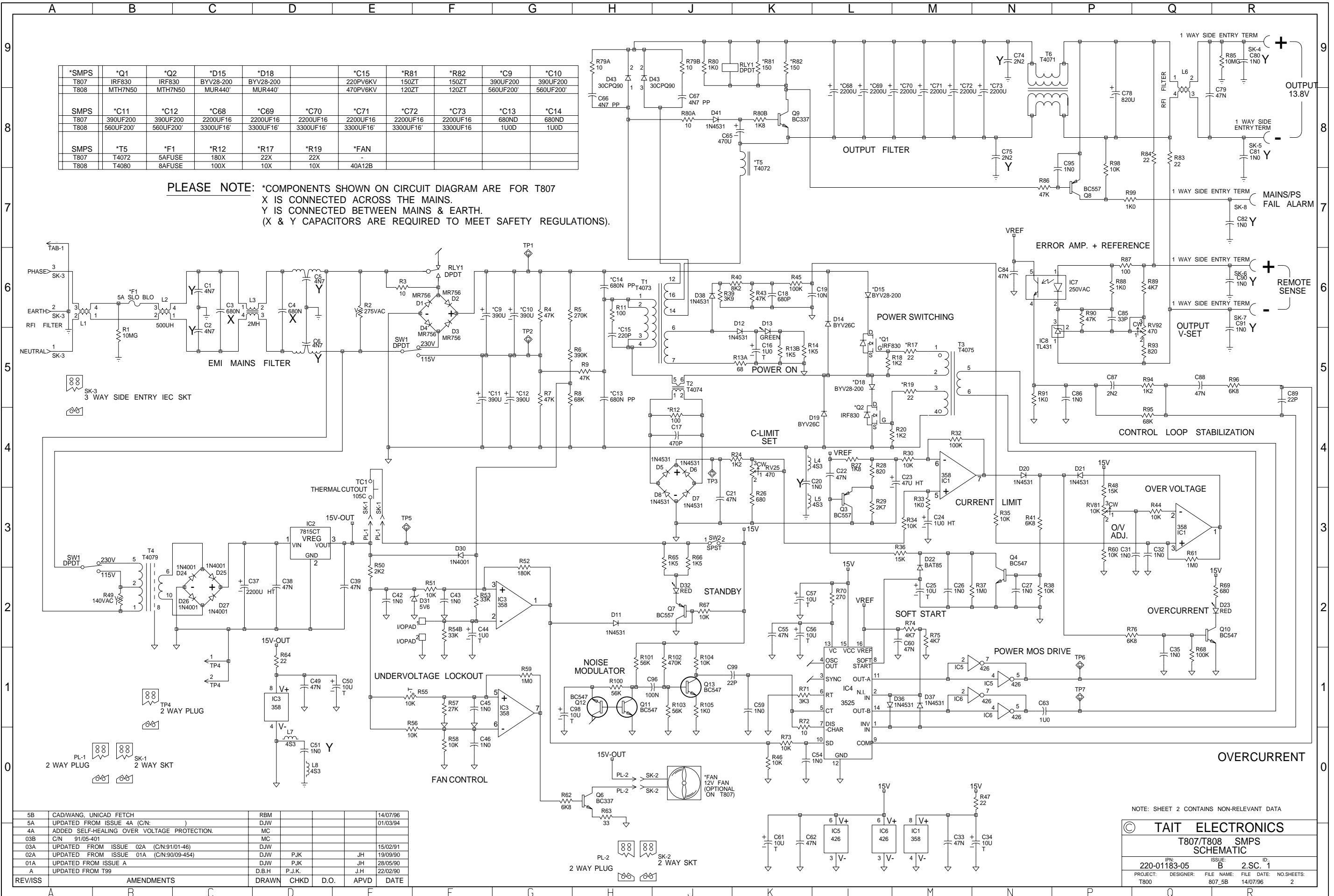
T807/808 PCB Layout
Bottom Side
220-01183-05



T807/808 PCB Layout
Top Side
220-01183-05

*SMPS	*Q1	*Q2	*D15	*D18	*C15	*R81	*R82	*C9	*C10	
T807	IRF830	IRF830	BYV28-200	BYV28-200	220PV6KV	150ZT	150ZT	390UF200	390UF200	
T808	MTH7N50	MTH7N50	MUR440	MUR440	470PV6KV	120ZT	120ZT	560UF200	560UF200	
SMPS	*C11	*C12	*C68	*C69	*C70	*C71	*C72	*C73	*C13	*C14
T807	390UF200	390UF200	2200UF16	2200UF16	2200UF16	2200UF16	2200UF16	2200UF16	680ND	680ND
T808	560UF200	560UF200	3300UF16	3300UF16	3300UF16	3300UF16	3300UF16	3300UF16	1U0D	1U0D
SMPS	*T5	*F1	*R12	*R17	*R19	*FAN				
T807	T4072	5AFUSE	180X	22X	22X					
T808	T4080	8AFUSE	100X	10X	10X	40A12B				

PLEASE NOTE: *COMPONENTS SHOWN ON CIRCUIT DIAGRAM ARE FOR T807
 X IS CONNECTED ACROSS THE MAINS.
 Y IS CONNECTED BETWEEN MAINS & EARTH.
 (X & Y CAPACITORS ARE REQUIRED TO MEET SAFETY REGULATIONS).



5B	CAD/WANG, UNICAD FETCH	RBM			14/07/96	
5A	UPDATED FROM ISSUE 4A (C/N:)	DJW			01/03/94	
4A	ADDED SELF-HEALING OVER VOLTAGE PROTECTION.	MC				
03B	C/N 91/05-401	MC				
03A	UPDATED FROM ISSUE 02A (C/N:91/01-46)	DJW			15/02/91	
02A	UPDATED FROM ISSUE 01A (C/N:90/09-454)	DJW	PJK	JH	19/09/90	
01A	UPDATED FROM ISSUE A	DJW	PJK	JH	28/05/90	
A	UPDATED FROM T99	D.B.H	P.J.K.	J.H	22/02/90	
REV/ISS	AMENDMENTS	DRAWN	CHKD	D.O.	APVD	DATE

NOTE: SHEET 2 CONTAINS NON-RELEVANT DATA

TAIT ELECTRONICS

T807/T808 SMPS SCHEMATIC

ISSUE: B 2.S.C. 1

PROJECT: T800 DESIGNER: 807_SB FILE DATE: 14/07/96 NO.SHEETS: 2